

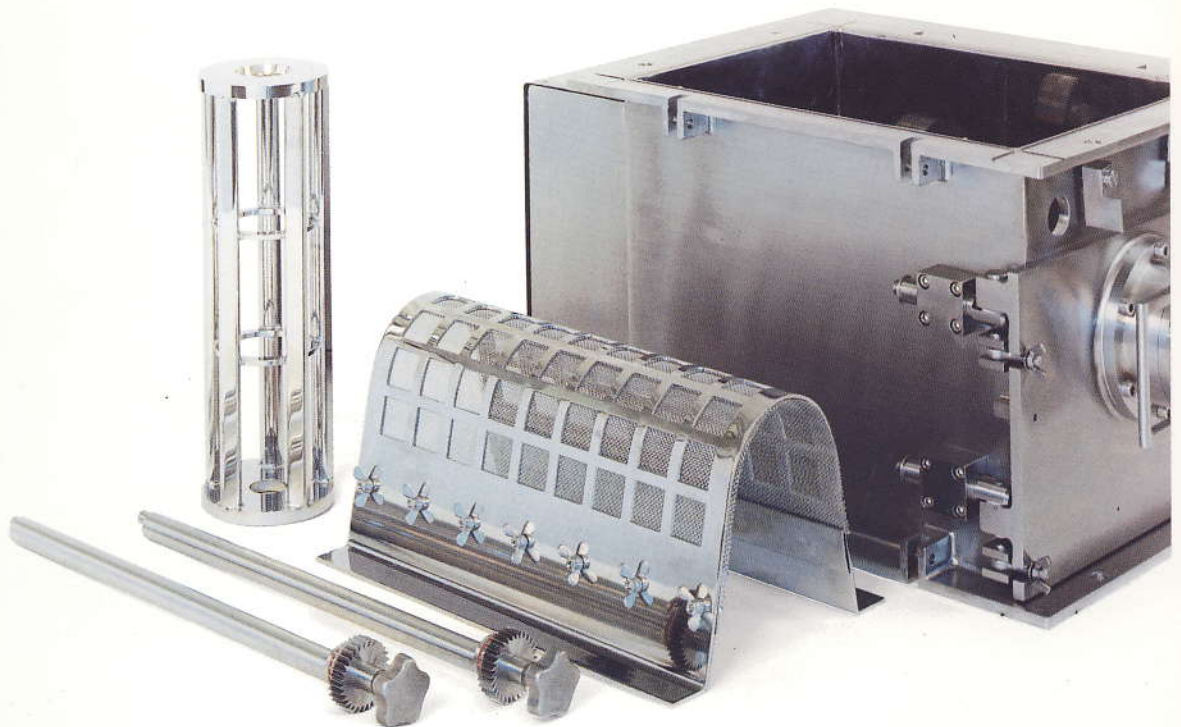
Glat®
OR-Oscillating
Sieves

Glatt® OR-Oscillating Sieves . . .

Glatt® Oscillating Sieves (OR-series)

are available in three standard sizes

- OR 2530
- OR 5030
- OR 5040



Applications

Glatt® OR-Oscillating Sieves are optimally suited for

- precision granulation (product dependent)
- homogenizing dry and wet products to an optimal grain size
- delumping
- sieving
- milling

Oscillating sieves are used in the following industries:

- pharmaceutical
- chemical
- agrochemical
- food and feed
- cosmetics
- ceramics

Features

- **High capacity, up to 2,000 kg/h (dependent upon sieve size, sieve insert and product)**
- **Optimally suited for dry, hard, wet and shear sensitive products**
- **Capable of batch or continuous operations.** The sieves can be charged manually or through a

metering device (i.e. rotary valve). Product loads up to 100 mm in height on the oscillating rotor do not negatively affect sieving performance.

- **Ideal for closed systems due to dust tight construction**
- **GMP design** – easy disassembly of all product contact parts allows efficient cleaning and sterilization.

... a Complete System



Effective adjustments to the individual process requirements can be achieved by selection of the sieve insert, the rotor frequency and the screen clearance.

All sieve inserts are available with:

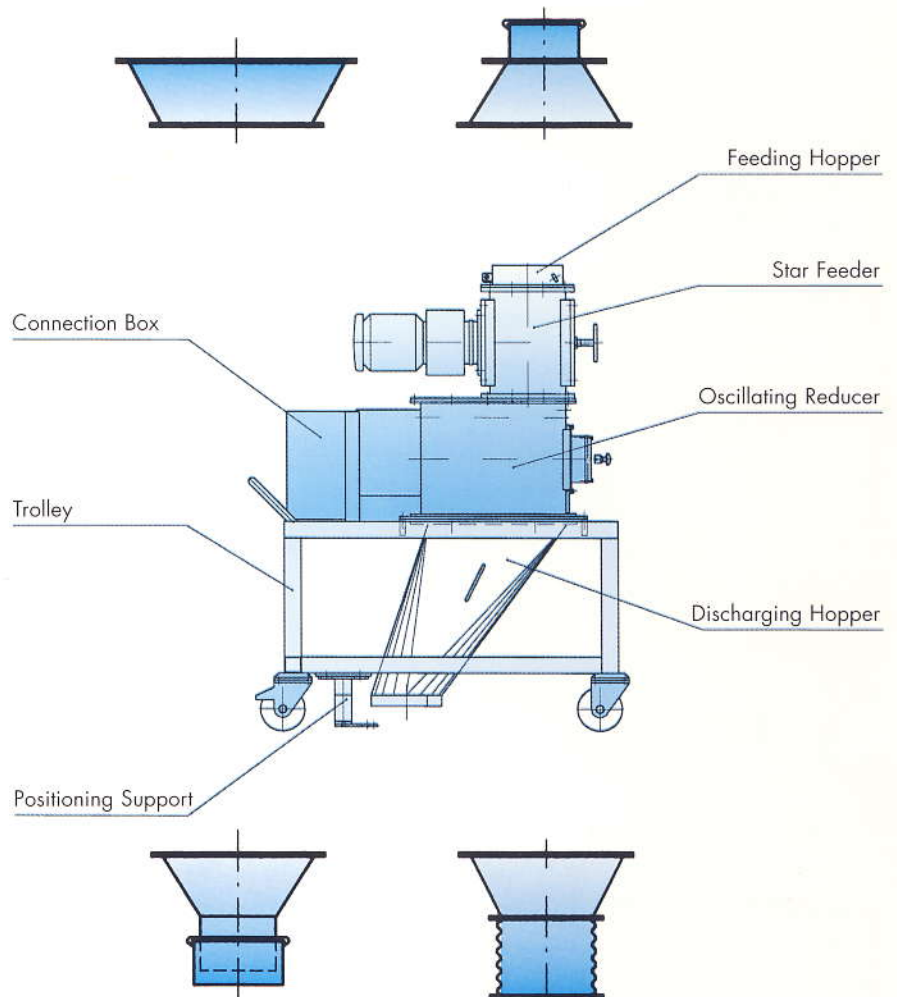
- 20 different pore sizes from 0.2 mm to 16 mm
- wire thickness from 0.09 mm up to 3.2 mm
- Open areas from 31 to 79 %

The rotor frequency can be varied in a range from:

- 0.85 s^{-1} up to 4.85 s^{-1} for OR 2530 and OR 5030
- 0.6 s^{-1} up to 3.4 s^{-1} for OR 5040

The screen clearance

can be infinitely adjusted from 0.5 mm to 5 mm by means of eccentrically mounted tensioning bars.



Glatt® OR-oscillating sieve with trolley and handling adapters

Options

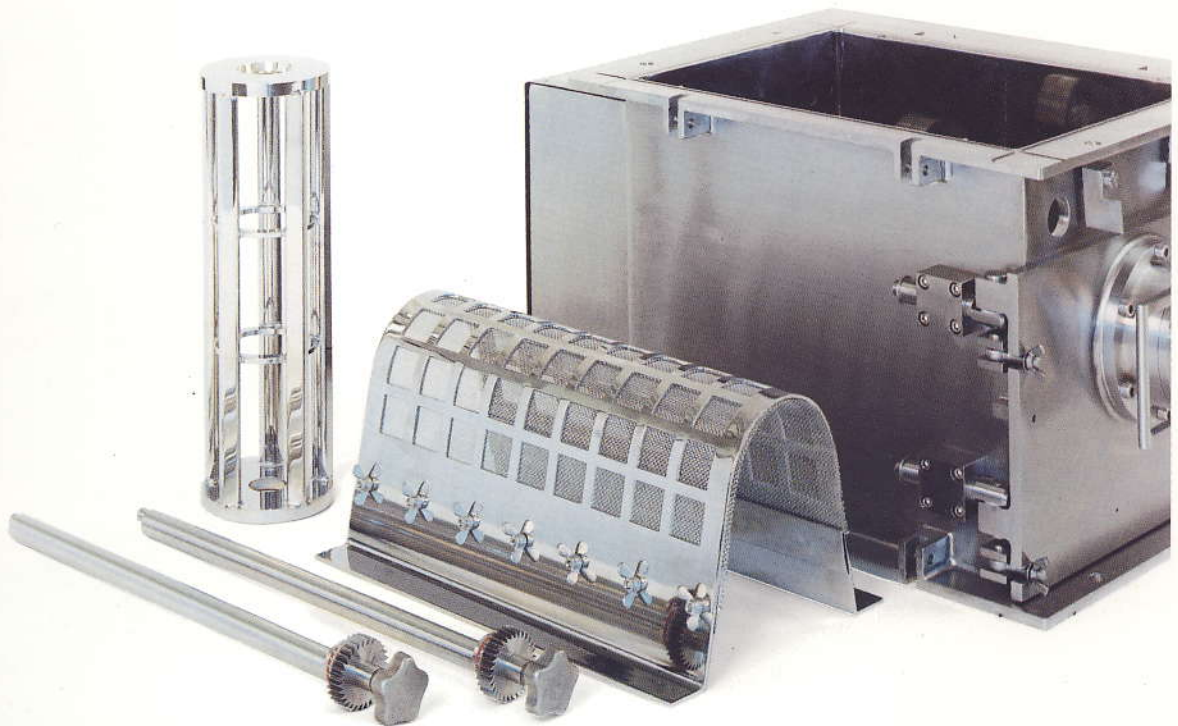
- Various charge and discharge hopper adapters for the dustfree charging and discharging of drums, containers, etc.
- Adapters for in-line operation
- Various metering and feed units
- Various trolleys
- Special construction for minimum product residues (less than 20 g)
- Explosion proof construction
- Digital rotor frequency indication for enhanced process reproducibility
- Customized controls

Glatt® OR-Oscillating Sieves . . .

Glatt® Oscillating Sieves (OR-series)

are available in three standard sizes

- OR 2530
- OR 5030
- OR 5040



Applications

Glatt® OR-Oscillating Sieves are optimally suited for

- precision granulation (product dependent)
- homogenizing dry and wet products to an optimal grain size
- delumping
- sieving
- milling

Oscillating sieves are used in the following industries:

- pharmaceutical
- chemical
- agrochemical
- food and feed
- cosmetics
- ceramics

Features

- **High capacity, up to 2,000 kg/h (dependent upon sieve size, sieve insert and product)**
- **Optimally suited for dry, hard, wet and shear sensitive products**
- **Capable of batch or continuous operations.** The sieves can be charged manually or through a

metering device (i.e. rotary valve). Product loads up to 100 mm in height on the oscillating rotor do not negatively affect sieving performance.

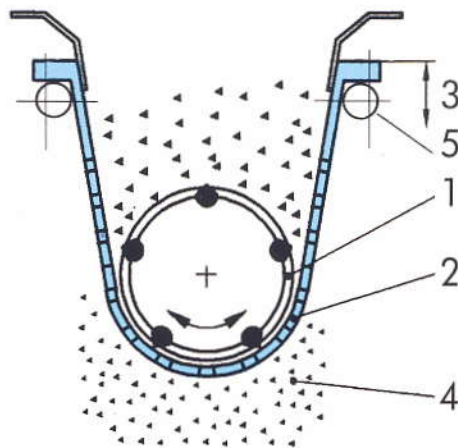
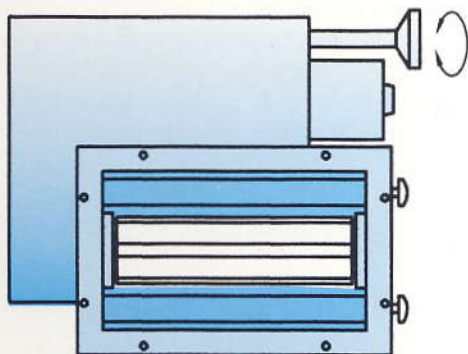
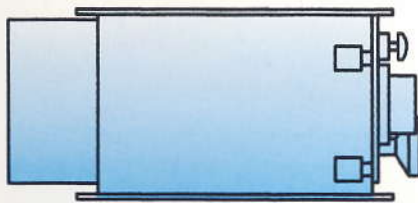
- **Ideal for closed systems due to dust tight construction**
- **GMP design** – easy disassembly of all product contact parts allows efficient cleaning and sterilization.

Glatt® OR-Oscillating Sieves

Technical Data

(Subject to change)

		Dim.	Type / Size		
			OR 2530	OR 5030	OR 5040
Throughput capacity (product dependent)		kg/h	500	1000	2000
Sieve insert	Pore size	mm	16 to 0.2		
	Wire thickness	mm	3.2 to 0.09		
	Open area	%	79 to 31		
Motor	Capacity	kW	0.55	1.1	2.2
	Rotor frequency	1/s	0.85 to 4.85	0.85 to 4.85	0.6 to 3.4
	Electric connections		3 x 400 V / 50 Hz / PEN		
Weight		kg	90	165	215
Dimensions	Rotor diameter	mm	120	120	220
	Rotor length	mm	250	500	500
	Screen clearance	mm	0.5 to 5	0.5 to 5	0.5 to 5
	Installation height	mm	300	360	420
	Inlet diameter	mm	250 x 230	500 x 230	500 x 330
	Outlet diameter	mm	250 x 300	500 x 300	500 x 400
	Connection flange	mm	346 x 396	596 x 396	596 x 496



- 1 Oscillating rotor
- 2 Sieve insert with support
- 3 Clearance adjustment
- 4 Product
- 5 Tensioning bars



Glatt® GmbH
Process Technology
Bühlmühle
79589 Binzen/Germany
Tel. (+49) (-7621) 6 64-0
Fax (+49) (-7621) 6 47 23

**Glatt®
Ingenieurtechnik GmbH**
Nordstr. 12
99427 Weimar/Germany
Tel. (+49) (-3643) 47-0
Fax (+49) (-3643) 47-12 31

**Glatt®
Systemtechnik GmbH**
Grunaer Weg 26
01277 Dresden/Germany
Tel. (+49) (-351) 25 84-0
Fax (+49) (-351) 25 84-328

**Glatt®
Norden ApS.**
Hejrevang 24
3450 Allerød/Denmark
Tel. (+45) (-48) 14 22 44
Fax (+45) (-48) 14 22 55

**Glatt® AG
Maschinen- & Apparatebau**
Kraftwerkstr. 6
4133 Pratteln 1/Switzerland
Tel. (+41) (-61) 8 21 44 81
Fax (+41) (-61) 8 21 84 11

INOX Glatt® AG
Wöschnerstr. 38
5012 Schönenwerd/Switzerland
Tel. (+41) (-62) 8 58 40 00
Fax (+41) (-62) 8 58 40 10

**Glatt®
Labortecnic SA**
Paseo Guayaquil, No. 19
08030 Barcelona/Spain
Tel. (+34) (-3) 3 45 67 00
Fax (+34) (-3) 3 46 13 04

**Glatt®
Pharmatech S.à.r.l.**
Parc Technologique
6, rue Louis Néel
21000 Dijon/France
Tel. (+33) (-3) 80 74 32 64
Fax (+33) (-3) 80 74 43 95

**Glatt®
Protech Ltd.**
Swannington Road
Cottage Lane Ind. Est.
Broughton Astley
Leicester LE9 6TU/Great Britain
Tel. (+44) (-1455) 28 58 58
Fax (+44) (-1455) 28 55 10

**Glatt®
Air Techniques Inc.**
20, Spear Road
Ramsey, NJ 07446/USA
Tel. (+1) (-201) 8 25 87 00
Fax (+1) (-201) 8 25 03 89

Glatt® China
Representative Office
Ou Yang Mansion
561 # Ou Yang Road
Shanghai 200081 / P.R. China
Tel. (+86) (-21) 650 705 46
Fax (+86) (-21) 650 705 46