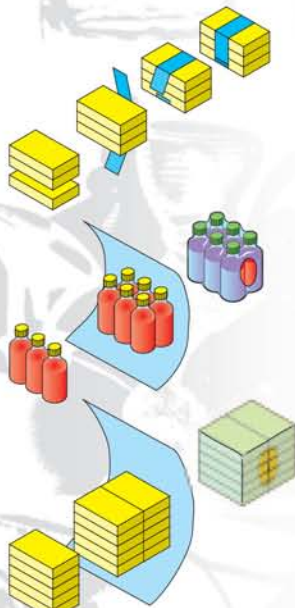
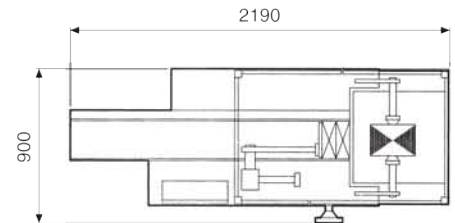
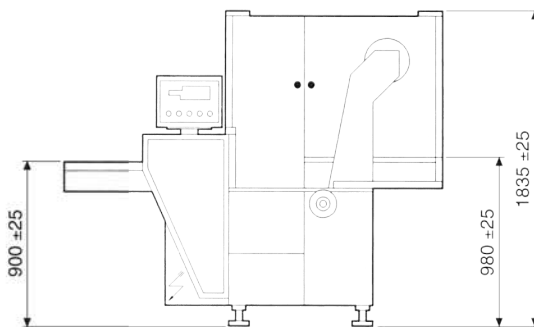
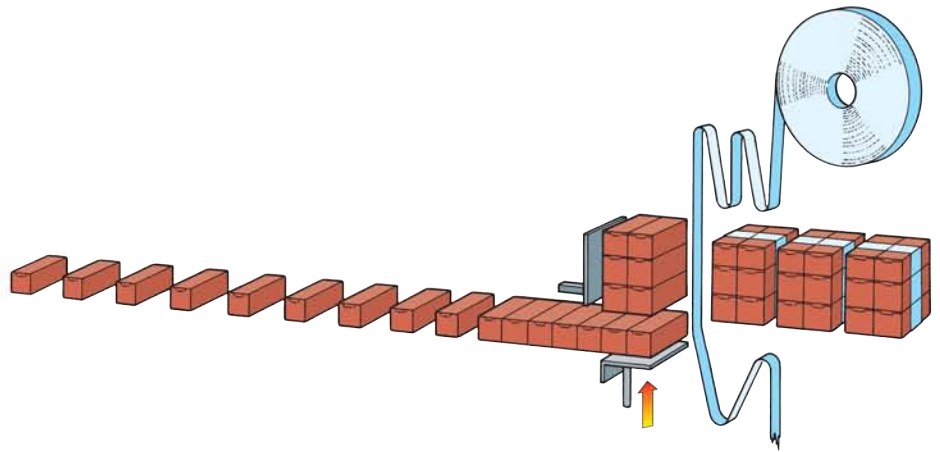


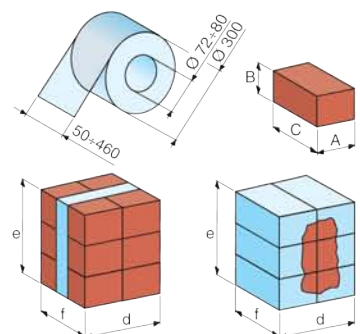
# ASB 38

Automatic bundler with stretch or heat shrinking material

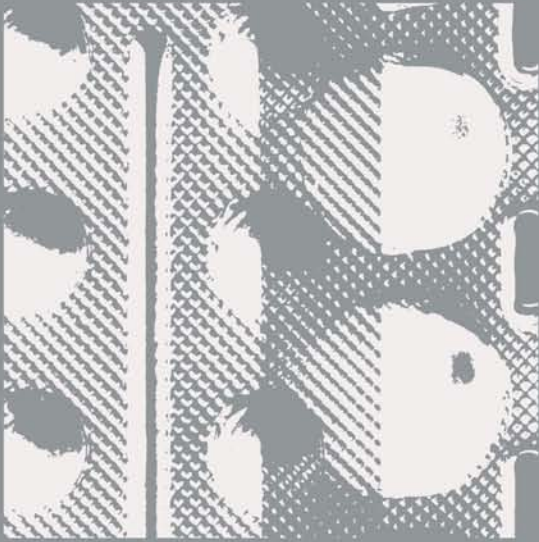


Mechanical speed per minute	STROKES	max. 35
Motors	KW	0,8
Power Absorption	KW	1,7
Air Consumption	NI/1'	20
Air pressure	bar	5+6
Gross Weight	Kg.	800
Net Weight	Kg.	600

		A	B	C	d	e	f
Size range	min.	15	12	50	40	24	50
	max.	360	70	250	360	210	250



The above technical data is not binding and may be subject to change without prior notice.



## **CAMPAK France**

**81, rue Pasteur  
77462 St-Thibault des Vignes  
Tel:01 60 31 54 68  
Fax: 01 60 31 54 69  
e-mail: [campak@campak.fr](mailto:campak@campak.fr)**

**<http://www.campak.fr>**



**Machines  
Catalogue**